

## 4-Channel LDO PMIC for Camera Applications

### DESCRIPTION

The CNS2868 is a 4-Ch LDO PMIC for camera sensor applications, which include 2-Ch DVDD, 2-Ch AVDD.

CNS2868 used N-MOSFET architecture for DVDD LDOs. Ultra-low dropout voltage (Typ.50mV @ 0.5A Load) of DVDD LDOs is designed for high efficiency and lower power dissipation purpose.

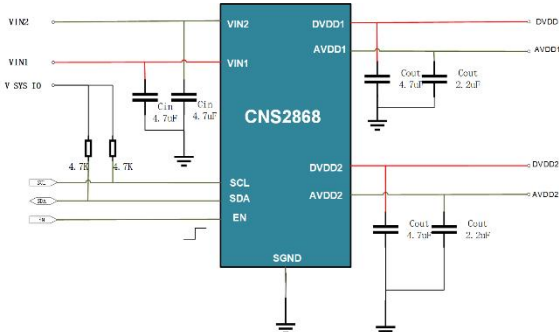
CNS2868 used P-MOSFET architecture for AVDD LDOs. Ultra-high PSRR and ultra-low output noise are designed for noise sensitive camera application.

With the highly integrate and small package size design, CNS2868 is available in DFN2x2-10L package.

- ◆ Over current protection
- ◆ Soft start function
- ◆ DVDD1 dropout voltage: 50mV@0.5A
- ◆ DVDD2 dropout voltage: 50mV@0.5A
- ◆ DVDD1 output current: 1000mA Min.
- ◆ DVDD2 output current: 800mA Min.
- ◆ AVDD1/2 output current: 400mA Min.
- ◆ AVDD LDO PSRR:90dB
- ◆ AVDD LDO output noise:10uV
- ◆ Pb-free and halogen-free.
- ◆ MSL-3

### FEATURES

- ◆ Flexible function setting by I2C
- ◆ VIN2 Input UVLO
- ◆ Over temperature protection



Typical application

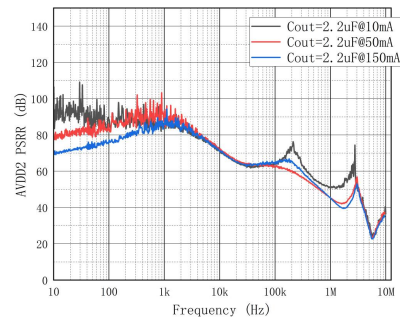
### Marking

2868: Device Code  
AB : Special Code  
Y : Year Code  
W : Week Code



### APPLICATIONS

- ◆ Smartphones
- ◆ AR/XR
- ◆ IP Camera



AVDD LDO PSRR

### Order Information

Device	Package	Shipping
CNS2868	DFN2x2-10L	3000/Reel &Tape